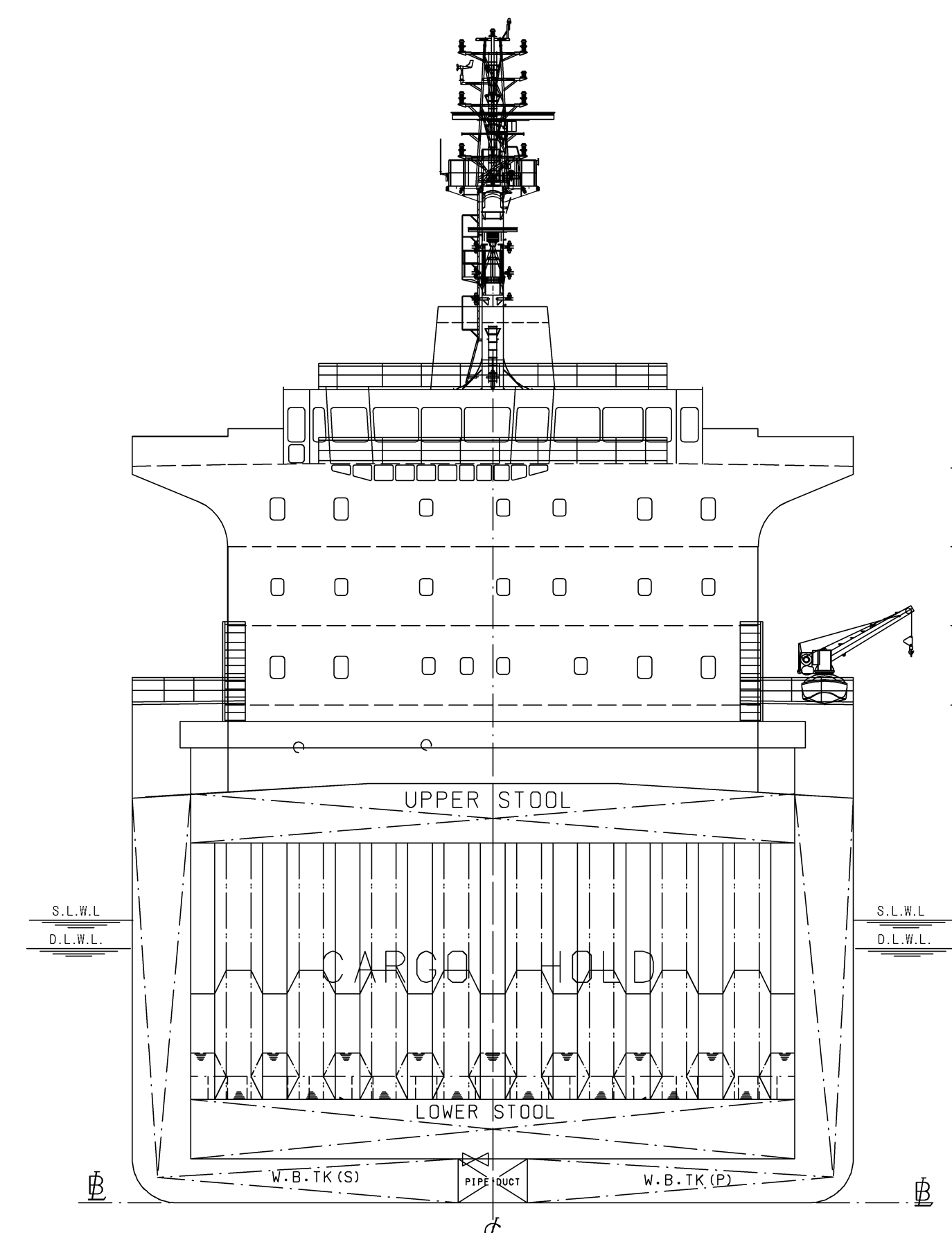


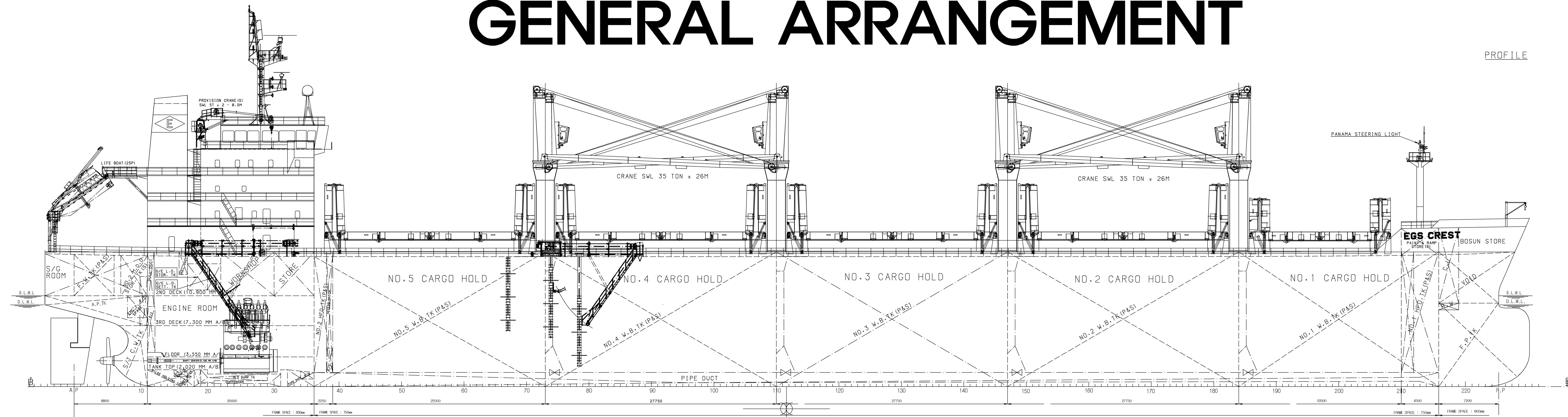
# GENERAL ARRANGEMENT

PLAN HISTORY

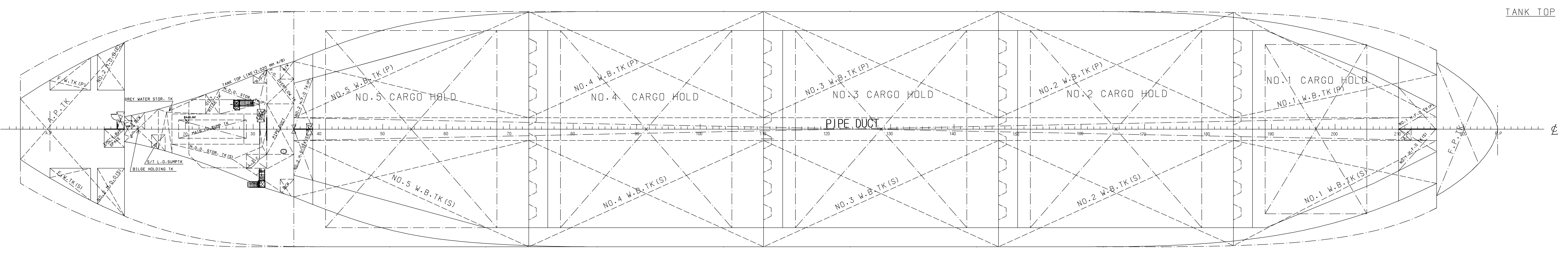
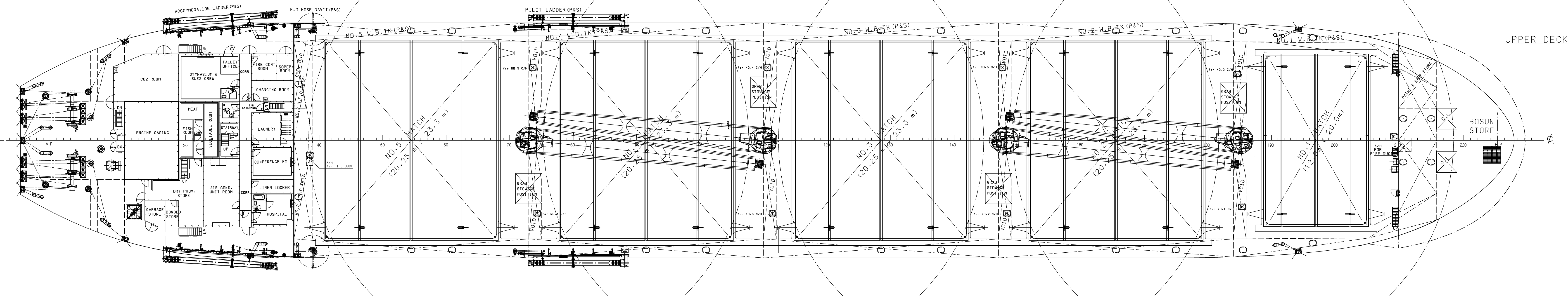
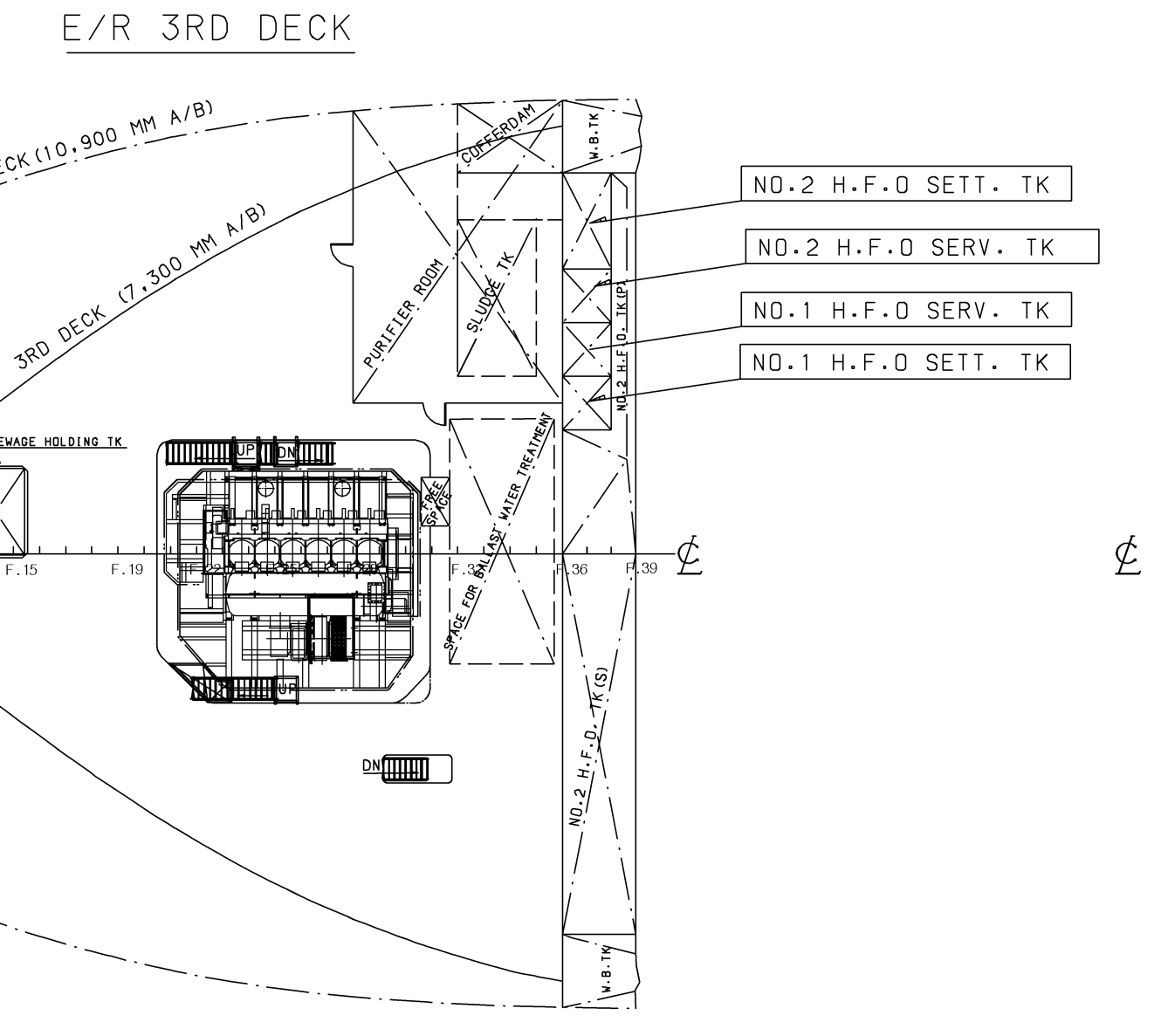
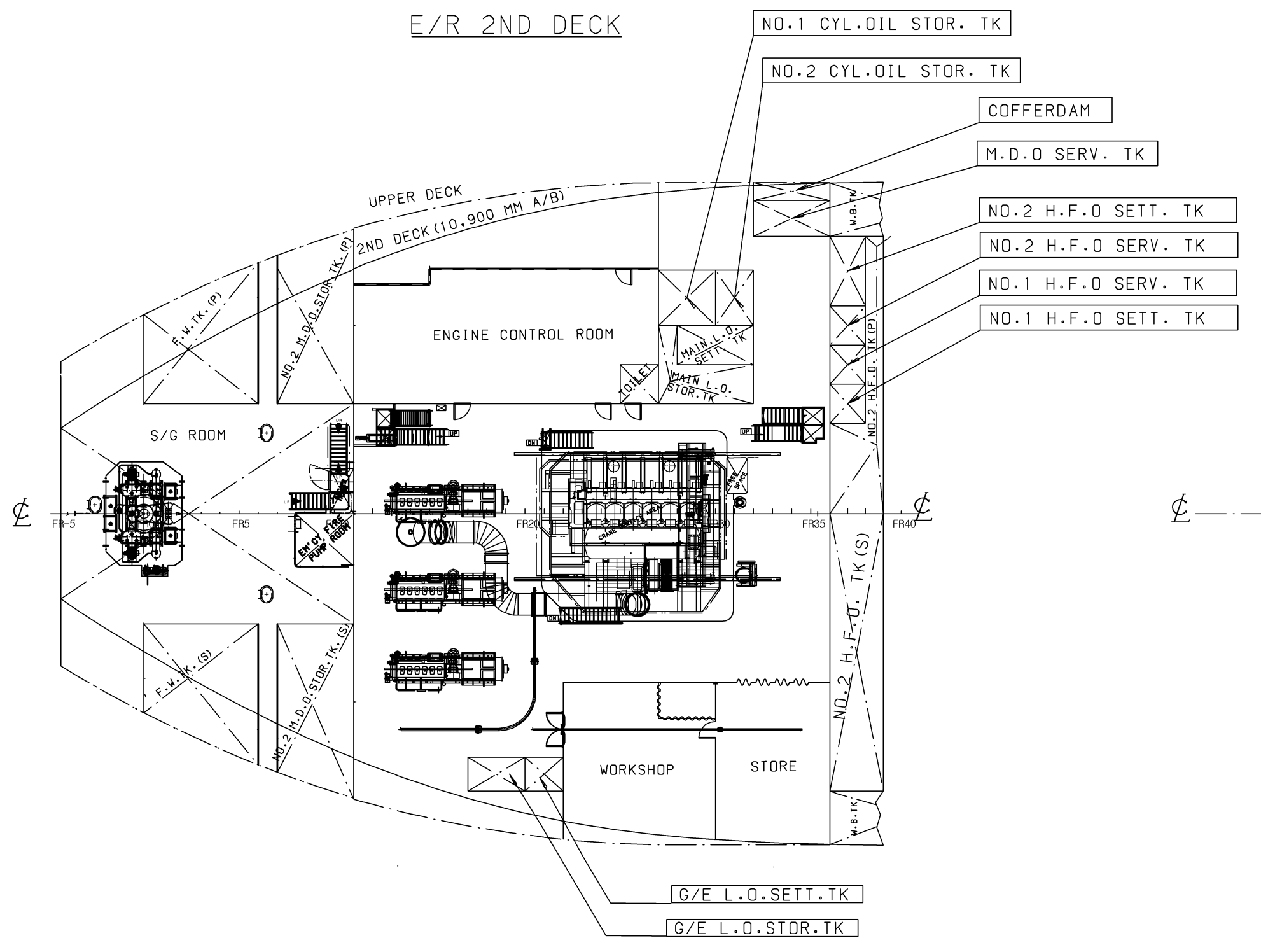
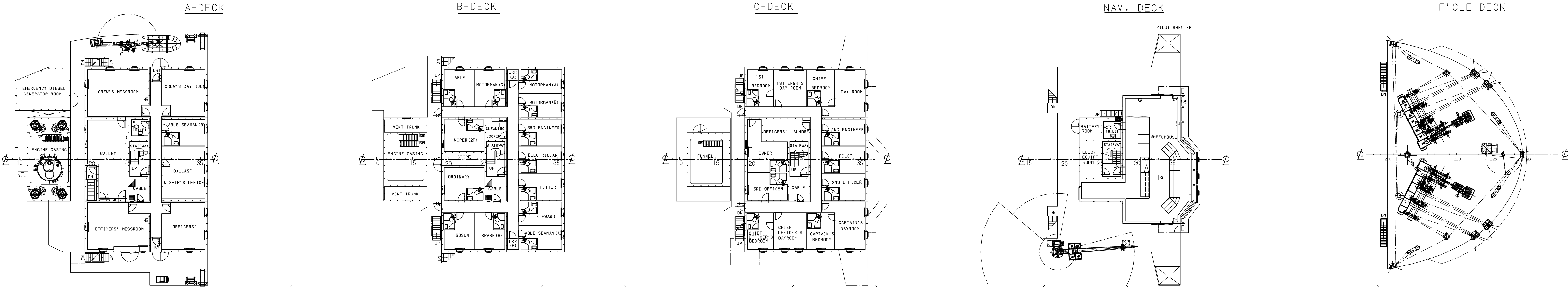
DATE	REV.	MARK	DESCRIPTION	DRAWN	CHECKED	APPROVED
2009-11-27	001		ORIGINALLY PREPARED FOR APPROVAL	M.S. HED	S.H. OH	T.W. PARK
2010-03-02	1		1. CHANGED THE DRAWING NO. FROM 1A000001 TO 1A000002 WITHIN BASIC DESIGN DEPT. 2. REVISED ACCORDING TO DESIGN DEVELOPMENT: - REFLECTED ACCORDATION PLAN. (SAG. NO. 1A000A01) - REFLECTED AMEND. OF STEERING GEAR ROOM. - REFLECTED AMEND. OF BALL-DRIFTING FITTINGS FOR STERN. - REFLECTED AMEND. OF LIFE BOAT HANDLING. - REFLECTED AMEND. OF LIFE BOAT HANDLING. - REFLECTED AMEND. OF LIFE BOAT HANDLING. - REFLECTED AMEND. OF LIFE BOAT HANDLING. - REFLECTED AMEND. OF LIFE BOAT HANDLING. (SAG. NO. 1A000A01)	M.S. HED	S.H. OH	T.W. PARK
2010-08-11	2		1. MODIFIED AS BELOW AS PER OWNER'S COMMENT. - CRANE SWL 35 TONS TO CRANE SWL 35 TONS. - CRANE SWL 35 TONS TO CRANE SWL 35 TONS. FINALLY PREPARED FOR HD&A.	M.S. HED	S.H. OH	T.W. PARK
2010-12-10	FIN					



MIDSHIP SECTION



PROFILE



Note:  
The location of each grab is preliminary purpose only and shall be adjusted according to Owner's furnished maker drawing.

## PRINCIPAL PARTICULARS

LENGTH	O.	A.	ABT.	178.33 M
LENGTH	B.	P.		171.00 M
BREADTH		(MLD)		27.80 M
DEPTH		(MLD)		15.60 M
DRAFT	DESIGN	(MLD)		9.80 M
	SCANT.	(MLD)		10.90 M

MAIN ENGINE: HYUNDAI-B&W 6S46MC-C8  
MCR : 7,860 KW X 129.0 RPM  
NCR : 5,870 KW X 117.0 RPM

SERVICE SPEED AT DESIGN LOAD (NCR WITH 15% S.M.) Abt. 14.0 Knots

CLASSIFICATION : ABS  
+1A1 (E), Bulk Carrier, BC-A(Holds 2&4 may be empty), +AMS, +ACCU, with description in the Record : ESP,CPS,UWILD,TCM

FLAG: Marshall Islands  
FREEBOARD TYPE: B  
COMPLEMENT: 25+6P  
IMO NO.

CAUTION  
THIS DRAWING OR DOCUMENT IS THE PROPERTY OF HYUNDAI WIPRO DOCKYARD CO., LTD. AND IT MUST NOT BE PARTIALLY OR WHOLLY COPIED OR USED FOR ANY OTHER PURPOSE WITHOUT PRIOR WRITTEN PERMISSION OF HYUNDAI WIPRO DOCKYARD CO., LTD.

DEPT. NO.	DESIGN NAME	SHIP TYPE
5610	BASIC DESIGN DEPT.1	36,000 DWT CLASS BULK CARRIER
TEL. NO.	SHIP NO.	SHIP NAME
3755	6043	
NAME OF DRAWING		
GENERAL ARRANGEMENT		
DATE	APPROVED	T. W. PARK
2010-03-02	CHECKED	S. H. OH
DRAWN	M. S. HED	TK
SCALE	DRAWING NO.	REV. NO.
1/200	1A000001	FIN
HYUNDAI WIPRO DOCKYARD CO., LTD. ULSAN KOREA		CONSULTANT NO.