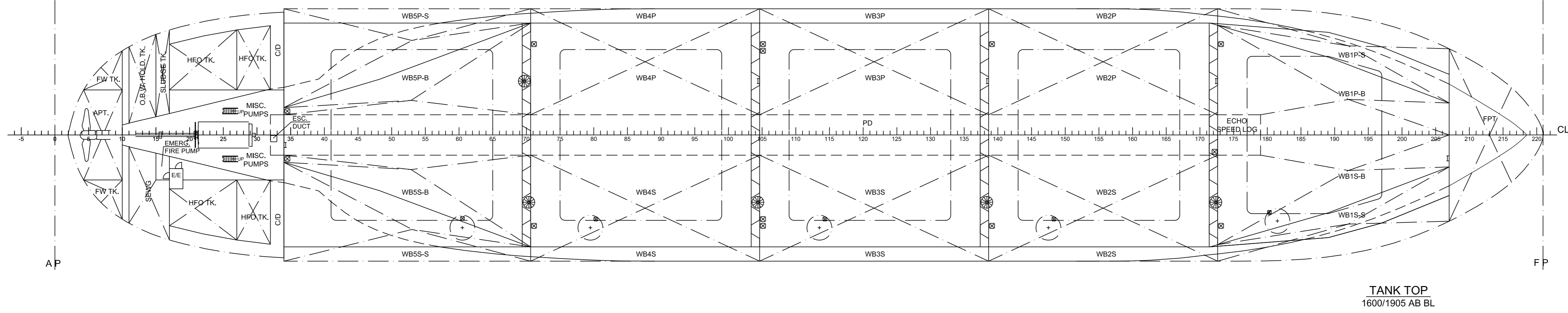
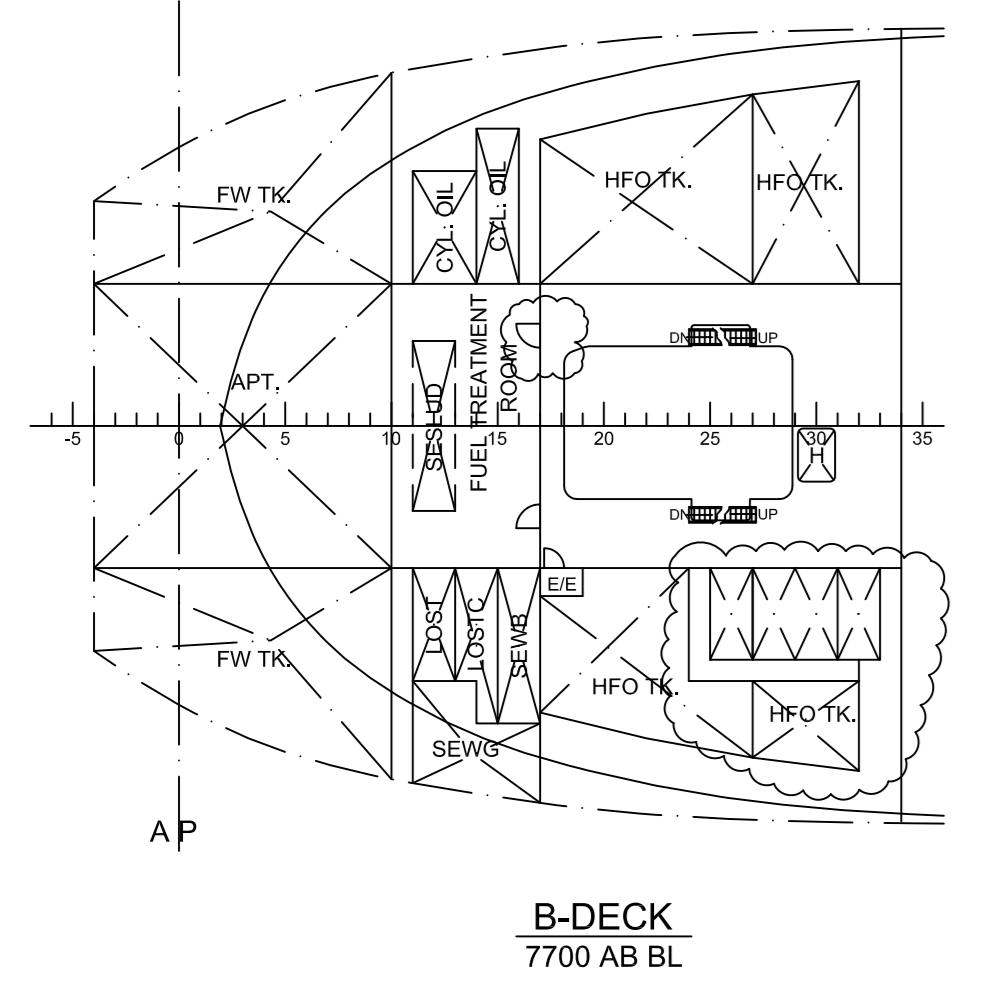
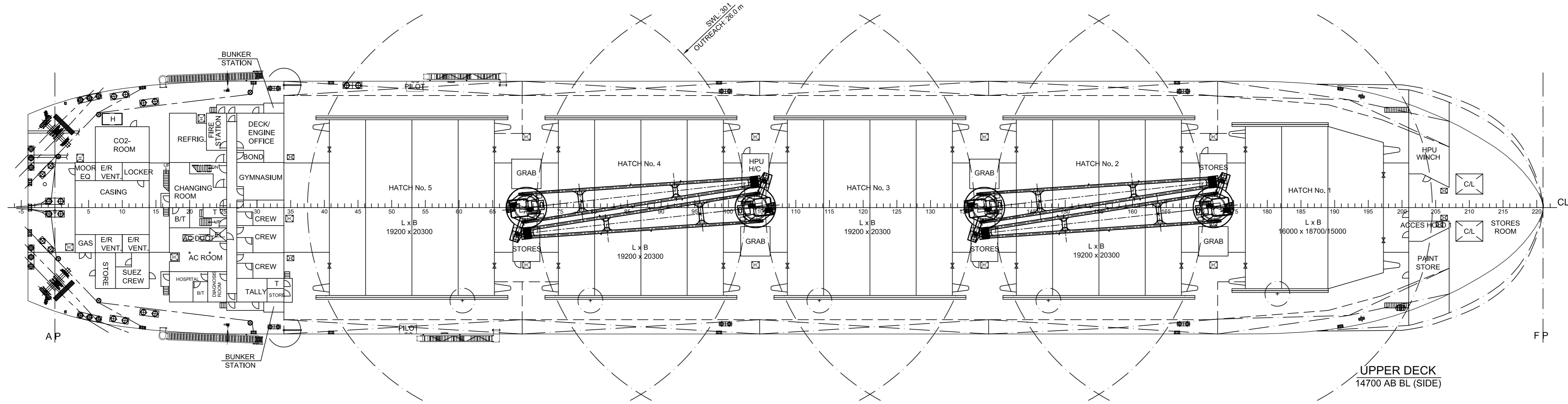
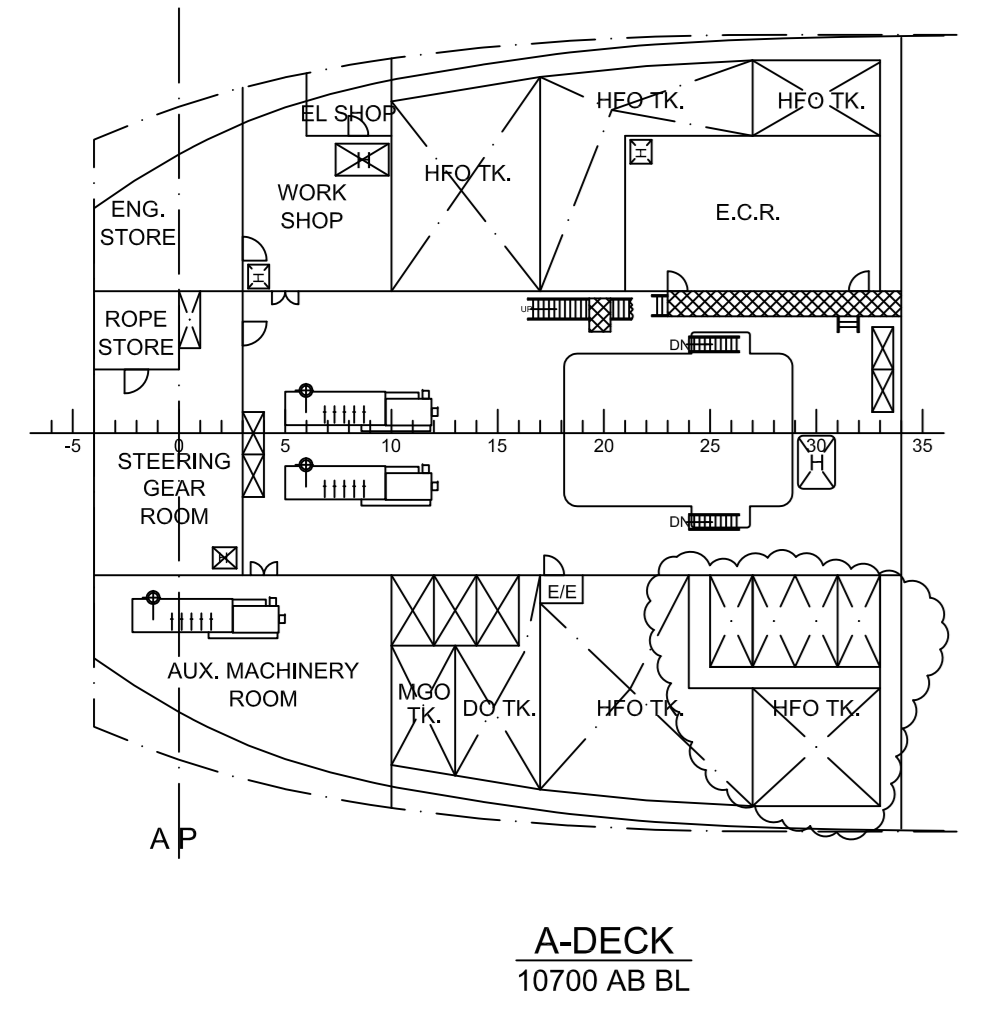
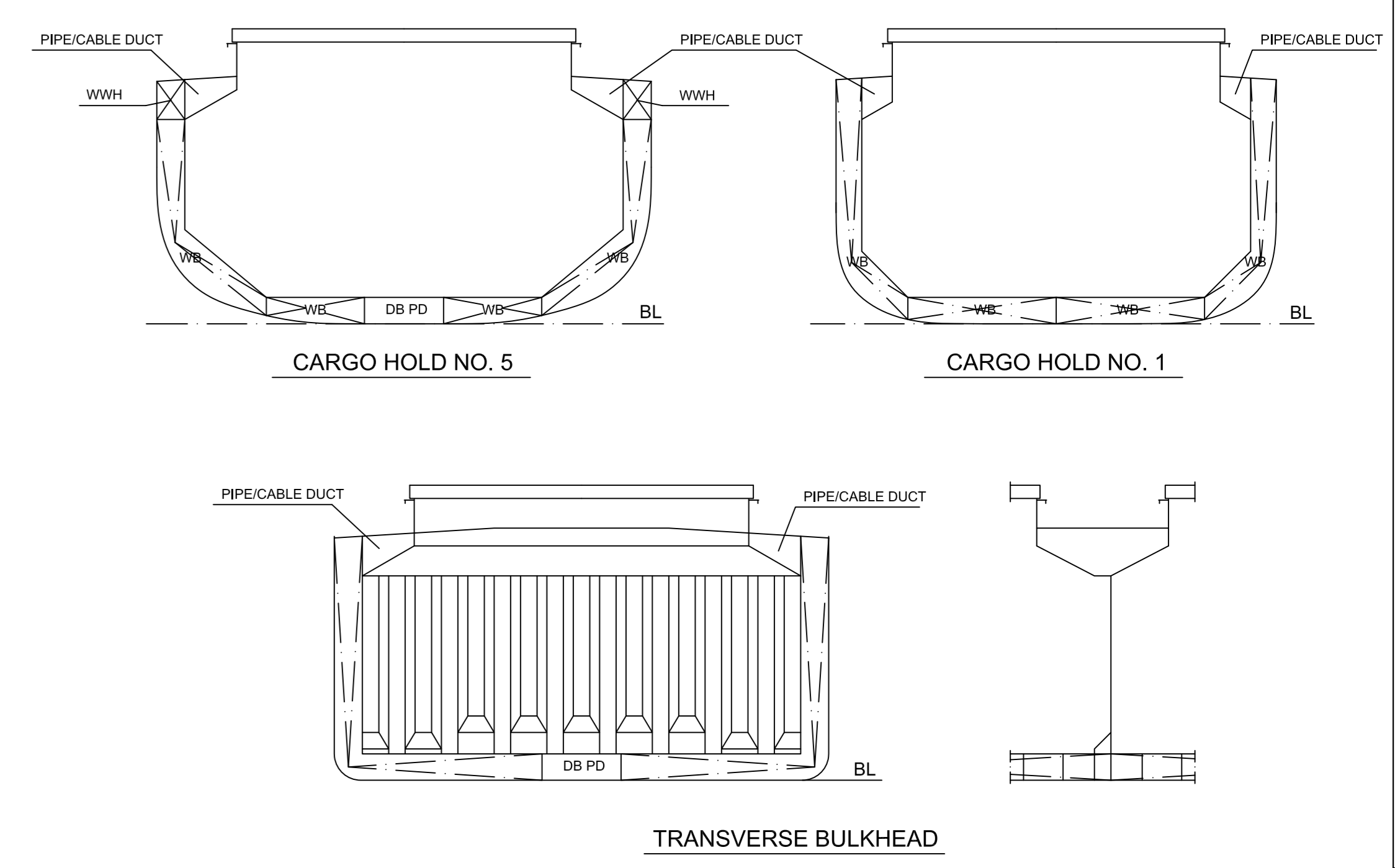
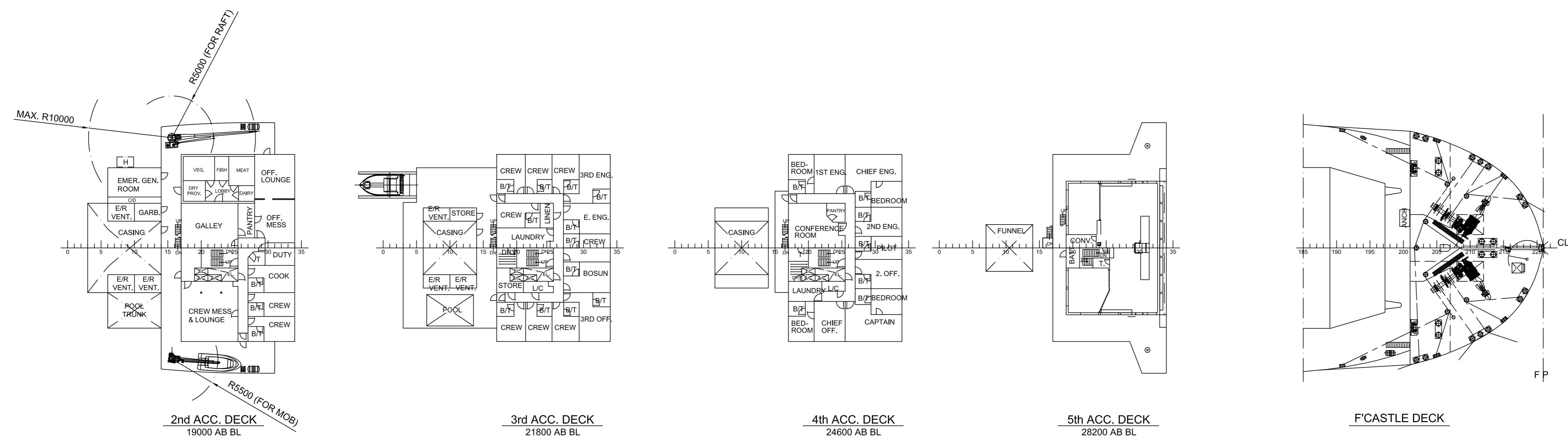
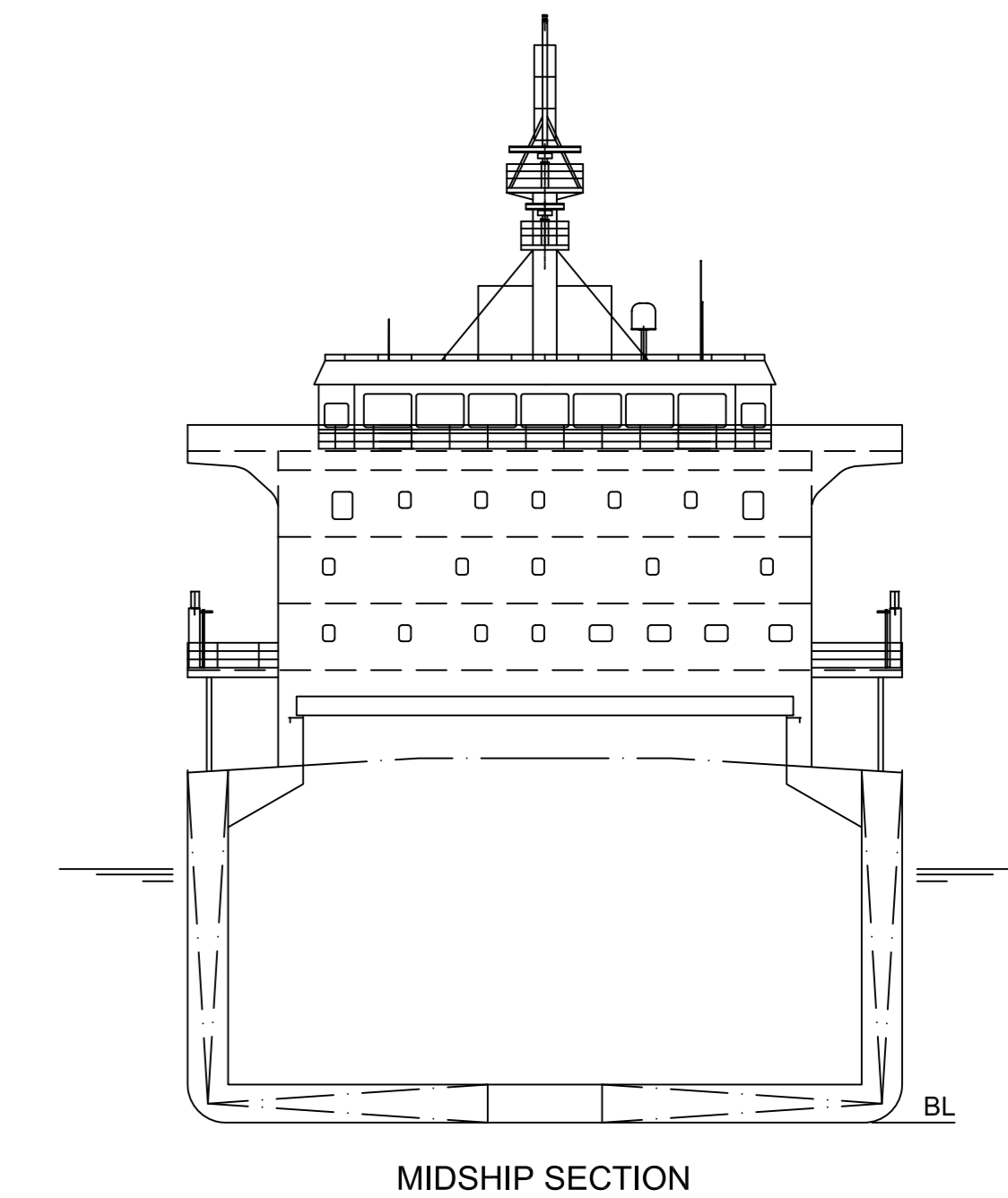
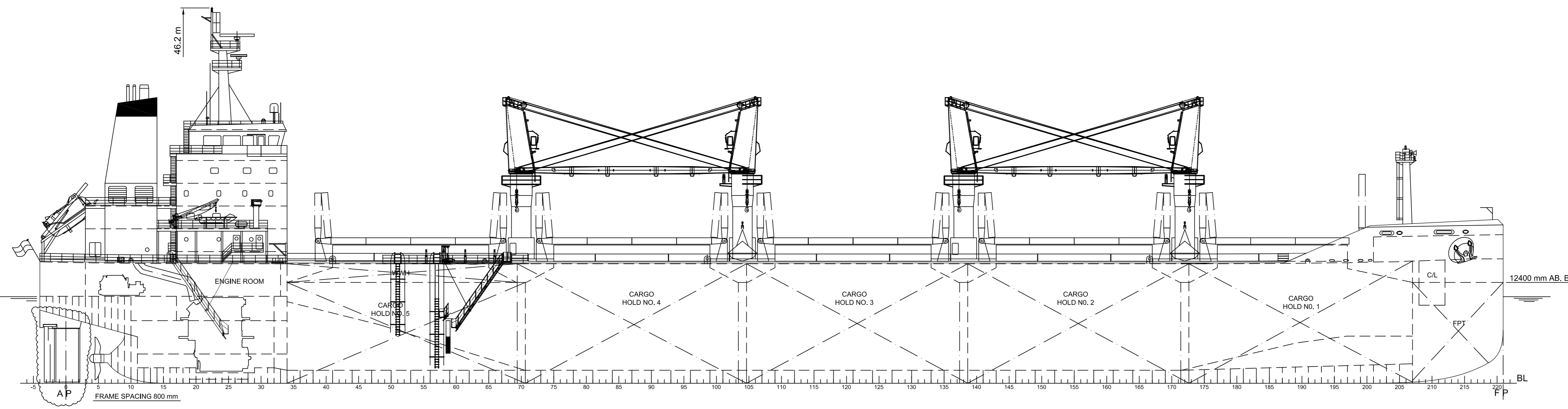


- WHEELHOUSE TOP
31200 mm AB. BL
- 5th ACC. DECK
26200 mm AB. BL
- 4th ACC. DECK
24600 mm AB. BL
- 3rd ACC. DECK
21800 mm AB. BL
- 2nd ACC. DECK
19000 mm AB. BL
- 1st ACC. DECK 19200 mm AB. BL
- UPPER DECK (SIDE)
14700 mm AB. BL
- A-DECK 10700 mm AB. BL
- B-DECK 7700 mm AB. BL
- E/R FLOOR 3750 mm AB. BL
- TANK TOP
1600/1905 mm AB. BL



A1 009-01

SEAHORSE 375 - 37,300 DWT BULK CARRIER

MAIN DIMENSIONS (ALL APPROX):

LENGTH OA MAX.	: 180.00 m
LENGTH PP APPROX.	: 176.75 m
RULE LENGTH	: 174.55 m
BREADTH (MLD)	: 30.00 m
DEPTH TO UPPER DECK (MLD)	: 14.70 m
CARGO CAPACITY (100%)	: 46,700 m³
DWT (SCANTLING DRAUGHT)	: 37,300 t
DESIGN DRAUGHT	: 10.10 m
SCANTLING DRAUGHT	: 10.65 m
CB (SCANTLING DRAUGHT)	: 0.84
SERVICE SPEED (DESIGN DRAUGHT)	: 14.00 kn
CORRESPONDING OUTPUT (15% SEA MARGIN)	: 5,675 kW

CLASS NOTATION:
 BV I, +HULL, +MACH, Bulk Carrier CSR, BC-A (holds 2,4 may be empty),
 ESP, unrestricted navigation, GRAB(20), AUT-UMS, MON-SHAFT,
 INWATERSURVEY, CPS(WBT), heavycargo, BWT

BUREAU VERITAS Section ...26466U...
 VU
 Shanghai, 19-Dec-2014
 [Electronic document]
 The plan approval office

NOTE:
 VESSEL IS PREPARED FOR LATER INSTALLATION OF LOG STANCHIONS.
 THUS, DWT IS REDUCED TO 37,100 t.

B	UPDATED FULL SPADE RUDDER	SXF	LTA	TAW	2014-01-27
A	UPDATED WITH YARD COMMENTS ABOUT HO1S/HOSER/HOET	SXF	RUJ	TAW	2014-01-09
Revision/Description		Dgn./Eng.	Control	Approval	Date
				Class	-
				Owner	-
				Yard	-
				Granskoven 8	-
				DK-2600 Glostrup	-
				Denmark	-
				Phone: +45 43 48 60 60	-
				Fax: +45 43 48 66 60	-
Scale	1:400	Size	841x594	Dgn./Eng.	LTA/SXF
Job				Control	BSN
				Approval	KHU
				Date	2014-01-08
				Job No.	

Grontmij
 Marine
 Naval Architects - Marine Engineers - Surveyors

SEAHORSE 375 - GYSB
 GUOYU SHIPBUILDING NOS.GY207,GY208

Subject Drawing No.

GENERAL ARRANGEMENT

009-01 C